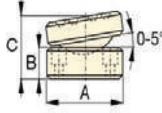
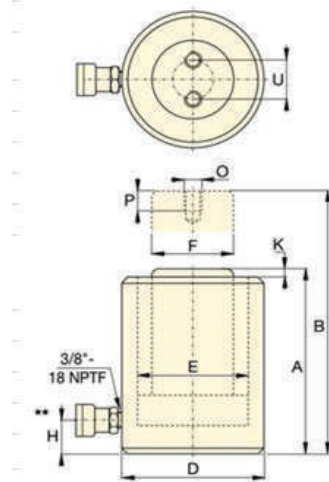


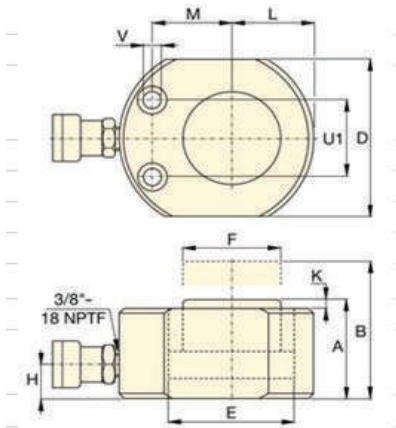
Optional Bolt On Tilt Saddle Dimensions (mm)				
For Cylinder Model	Model Number	A	B	C
PCS-101	PAT-11	35	11	21
PCS-201 PCS-302 PCS-502	PAT-51	50	15	29
PCS-1002	PAT-101	71	17	35



\*\*C" dimension equals saddle protrusion from plunger. Mounting screws are included.



PCS-Series



PSM-Series

PSM Cylinder Mounting Hole Dimensions (mm)				
Bolt Circle U1	Hole Dia. V	Counter Bore Dia.	Counter Bore Depth.	Model Number
28.5	5.5	9.1	4.3	PSM-50
36.6	7.1	10.7	7.9	PSM-100
49.3	10.0	15.1	9.9	PSM-200
52.3	10.0	15.9	11.2	PSM-300
66.5	11.0	19.0	12.7	PSM-500
76.2	13.5	20.6	14.2	PSM-750
76.2	13.5	20.6	14.2	PSM-1000
117.3	13.5	20.6	14.2	PSM-1500

Collapsed Height A (mm)	Extended Height B (mm)	Outside Diameter D (mm)	Cylinder Bore Dia. E (mm)	Plunger Dia. F (mm)	Base to Advance Port H (mm)	Plunger Protrusion from Base K (mm)	Plunger to Base L (mm)	Plunger to Mtg. Hole M (mm)	Thread O (mm)	Thread Depth P (mm)	Bolt Circle U (mm)	Weight (kg)	Model Number
32	38	58 x 41	28.7	25.4	16	1	20	22	-	-	-	1.0	PSM-50 <sup>1)</sup>
43	54	82 x 55	42.9	38.1	19	1	27	34	-	-	-	1.4	PSM-100
51	62	101 x 76	60.5	50.8	19	1	39	39	-	-	-	3.1	PSM-200
58	71	117 x 95	73.2	63.4	19	2	47	44	-	-	-	4.5	PSM-300
66	82	140 x 114	88.9	69.8	19	2	57	53	-	-	-	6.8	PSM-500
79	95	165 x 139	114.3	82.6	19	2	69	66	-	-	-	11.3	PSM-750
85	101	178 x 153	127.0	92.2	19	2	76	74	-	-	-	14.5	PSM-1000
100	116	215 x 190	158.8	114.3	23	2	95	82	-	-	-	26.3	PSM-1500
88	126	69	42.9	38.1	17	5	-	-	M4	8	26	2.7	PCS-101*
98	143	92	60.5	50.8	17	3	-	-	M5	8	40	5.0	PCS-202*
117	179	101	73.2	66.5	19	3	-	-	M5	8	40	6.8	PCS-302*
122	182	124	88.9	69.8	23	2	-	-	M5	8	40	10.0	PCS-502*
141	198	165	127.0	92.2	31	1	-	-	M8	10	55	20.7	PCS-1002*

\*\* 5° angle position of coupler on PCS-101, 201, 302.